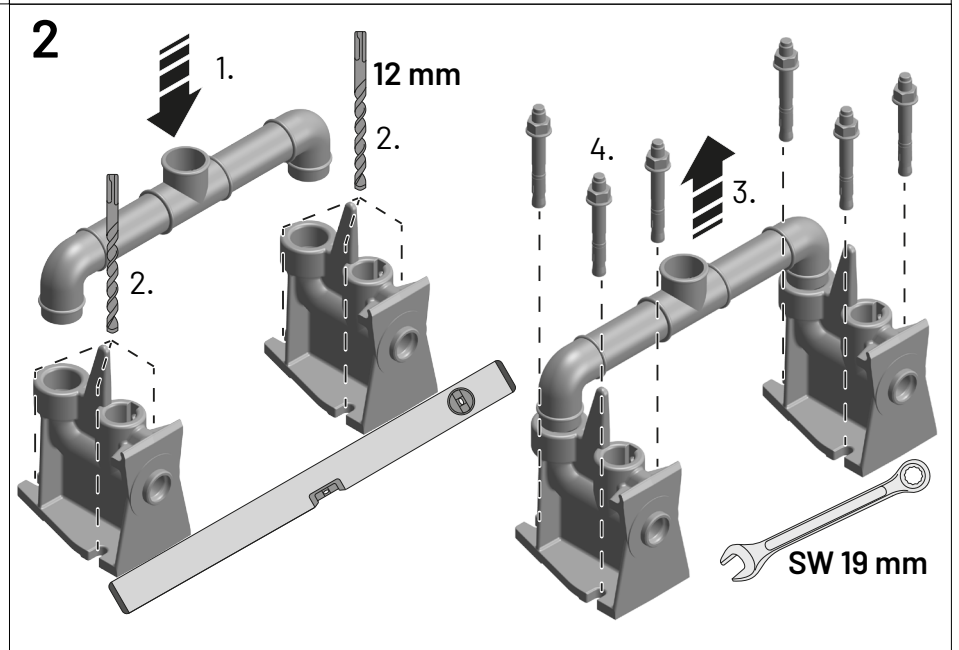
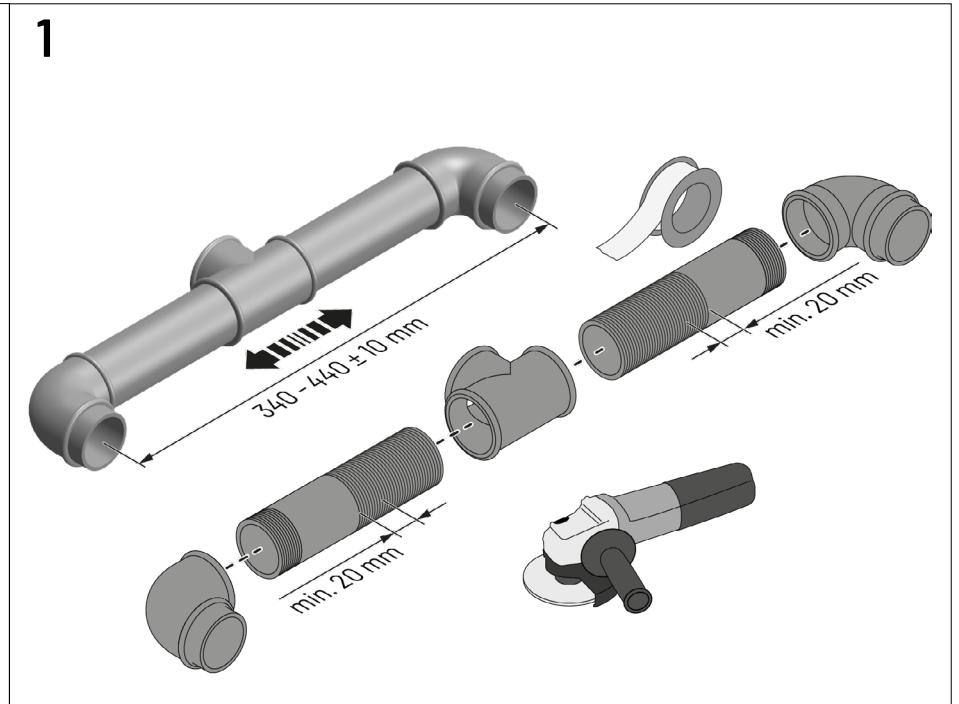
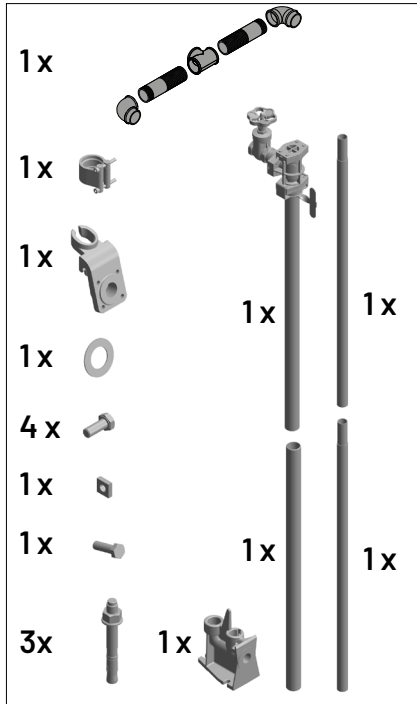
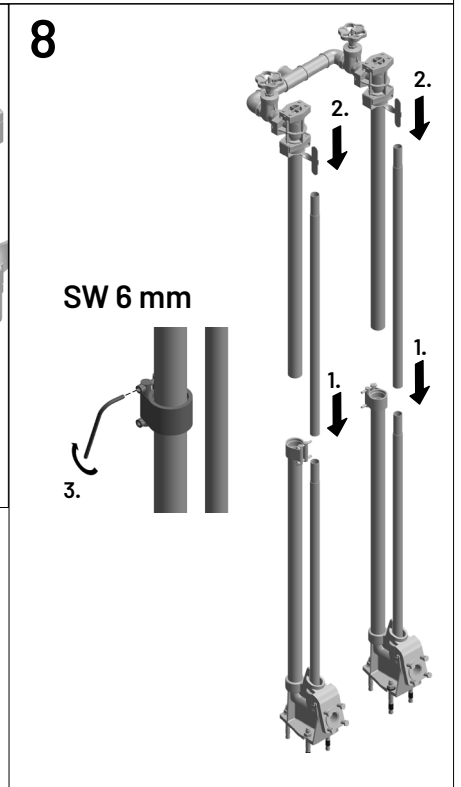
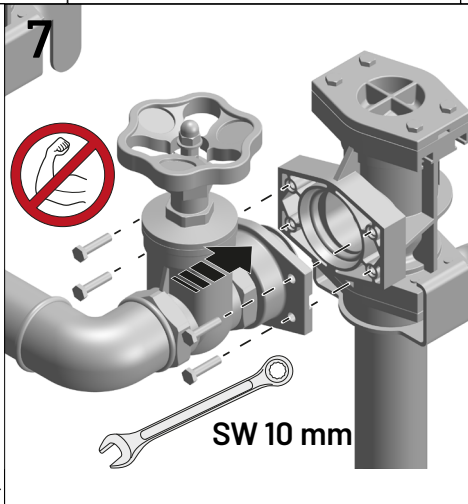
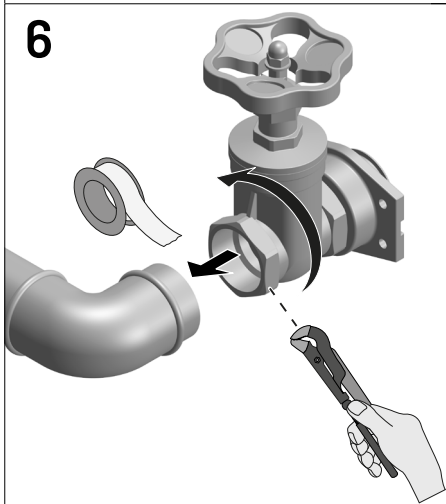
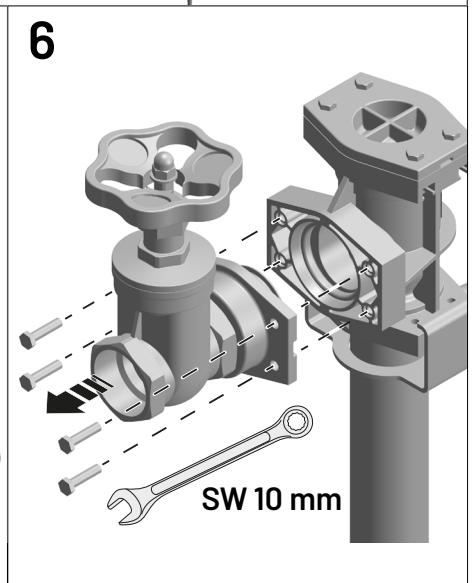
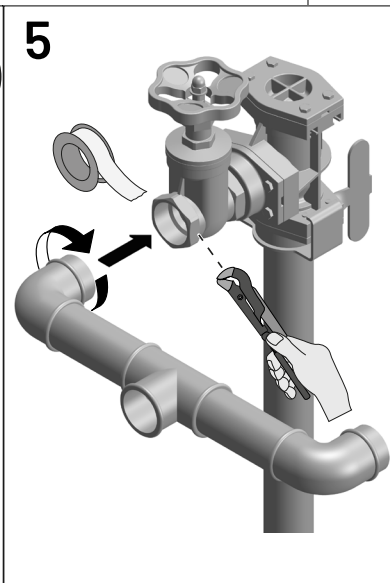
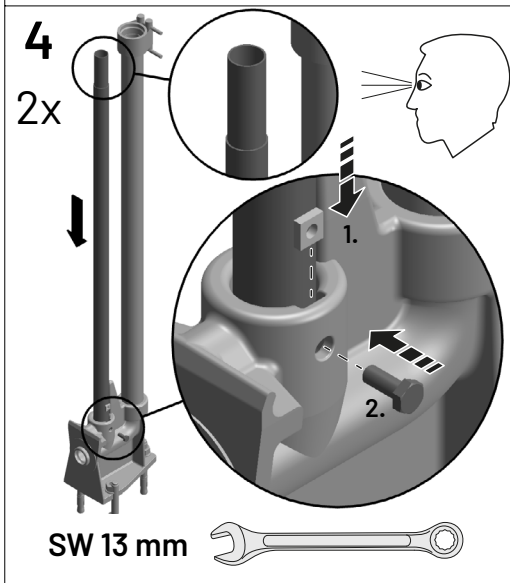
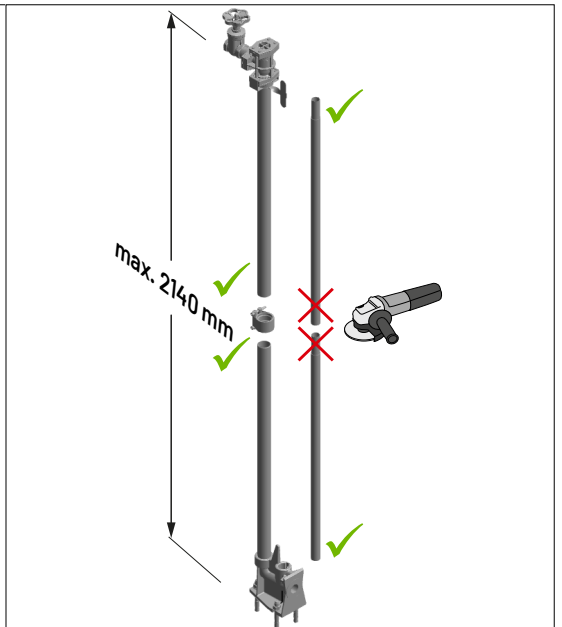
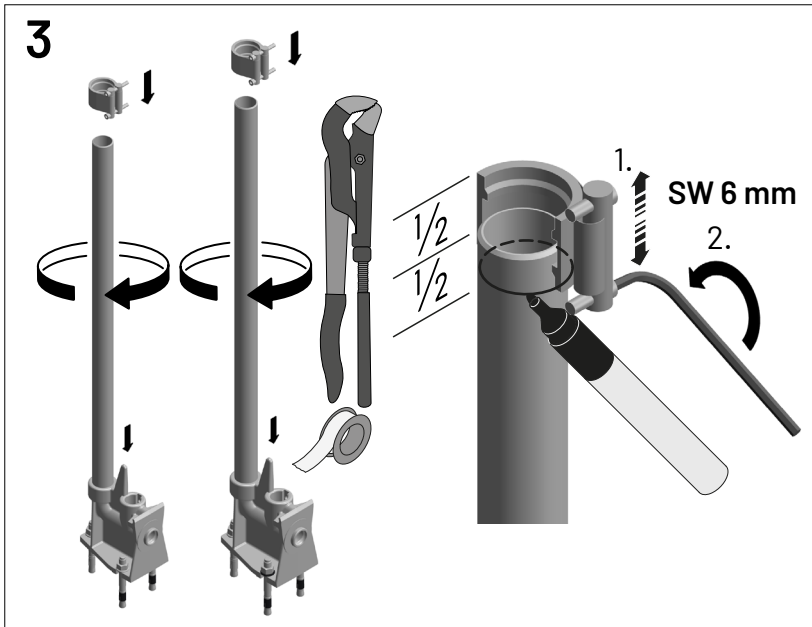


EINBAUSET ERWEITERUNG DN 40 DUO JP 50691

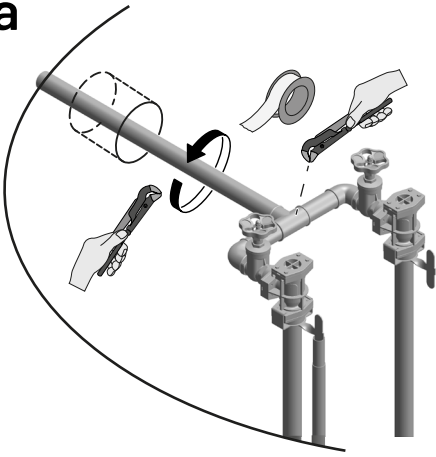


EINBAUSET DN 40 SINGLE ERFORDERLICH JP 50680
 INSTALLATIONSET DN 40 SINGLE REQUIRED JP 50680

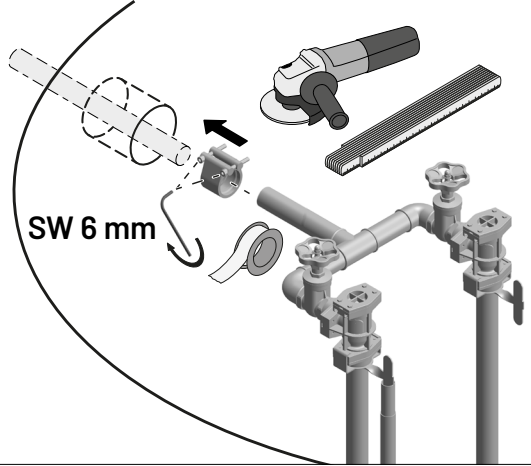




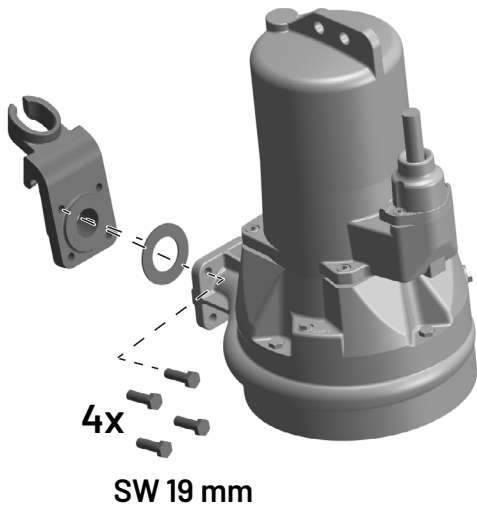
9a



9b



10





Jung Pumpen GmbH
Industriestr. 4-6
33803 Steinhagen
Deutschland
Tel. +49 5204 170
kd@jung-pumpen.de

Pentair Water Italy Srl
Via Masaccio, 13
56010 Lignano - Pisa
Italia
Tel. +39 050 716 111
info@jung-pumpen.it

Pentair Water Polska Sp. z o.o.
ul. Plonów 21
41-200 Sosnowiec
Polska
Tel. +48 32 295 1200
infopl.jungpumpen@pentair.com

All indicated Pentair trademarks and logos are property of Pentair. Third party registered and unregistered trademarks and logos are the property of their respective owners.
© 2023 Pentair Jung Pumpen